

CAMON

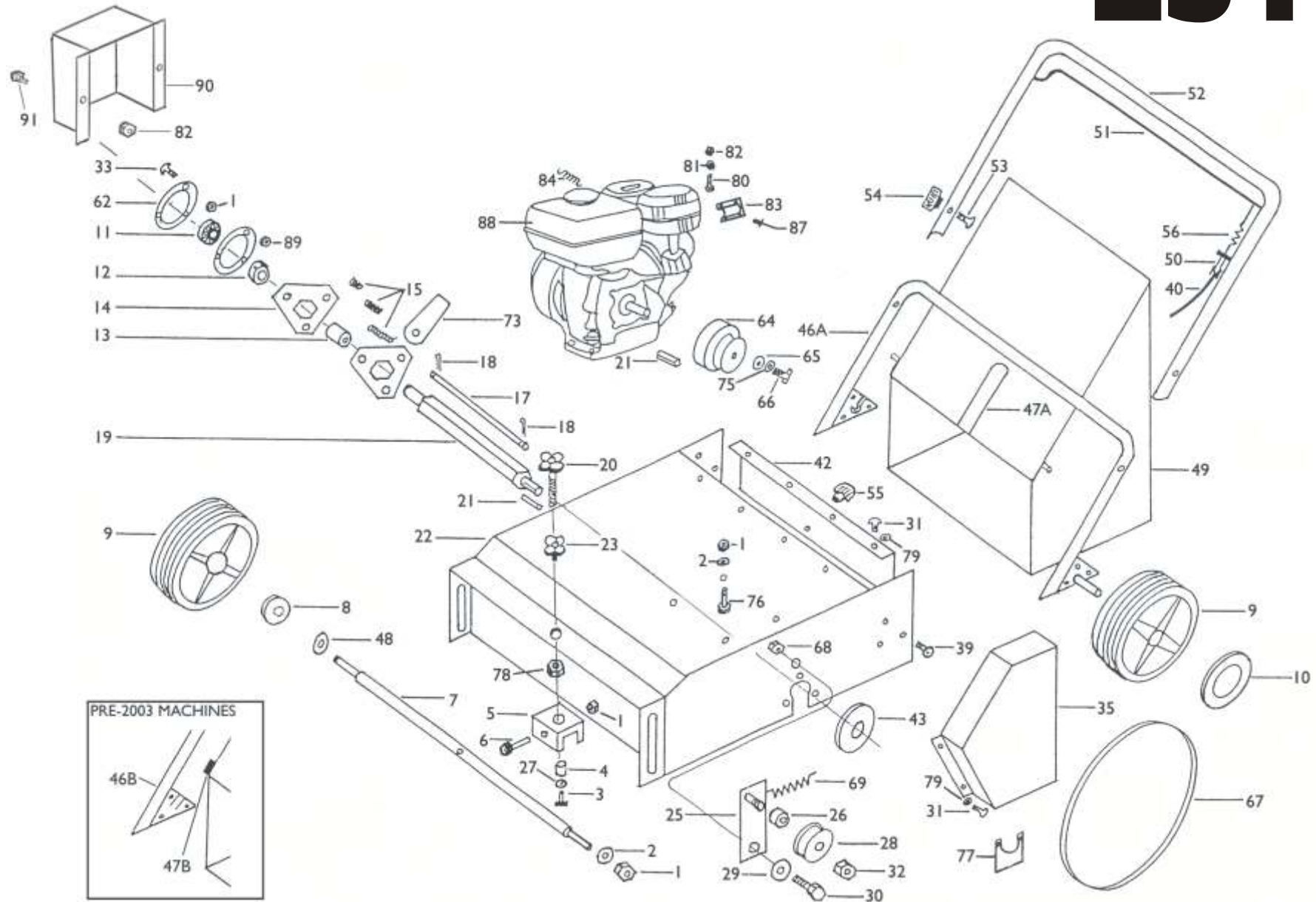
LAWN SCARIFIER

MODEL LS17

PARTS DIAGRAM



LS17

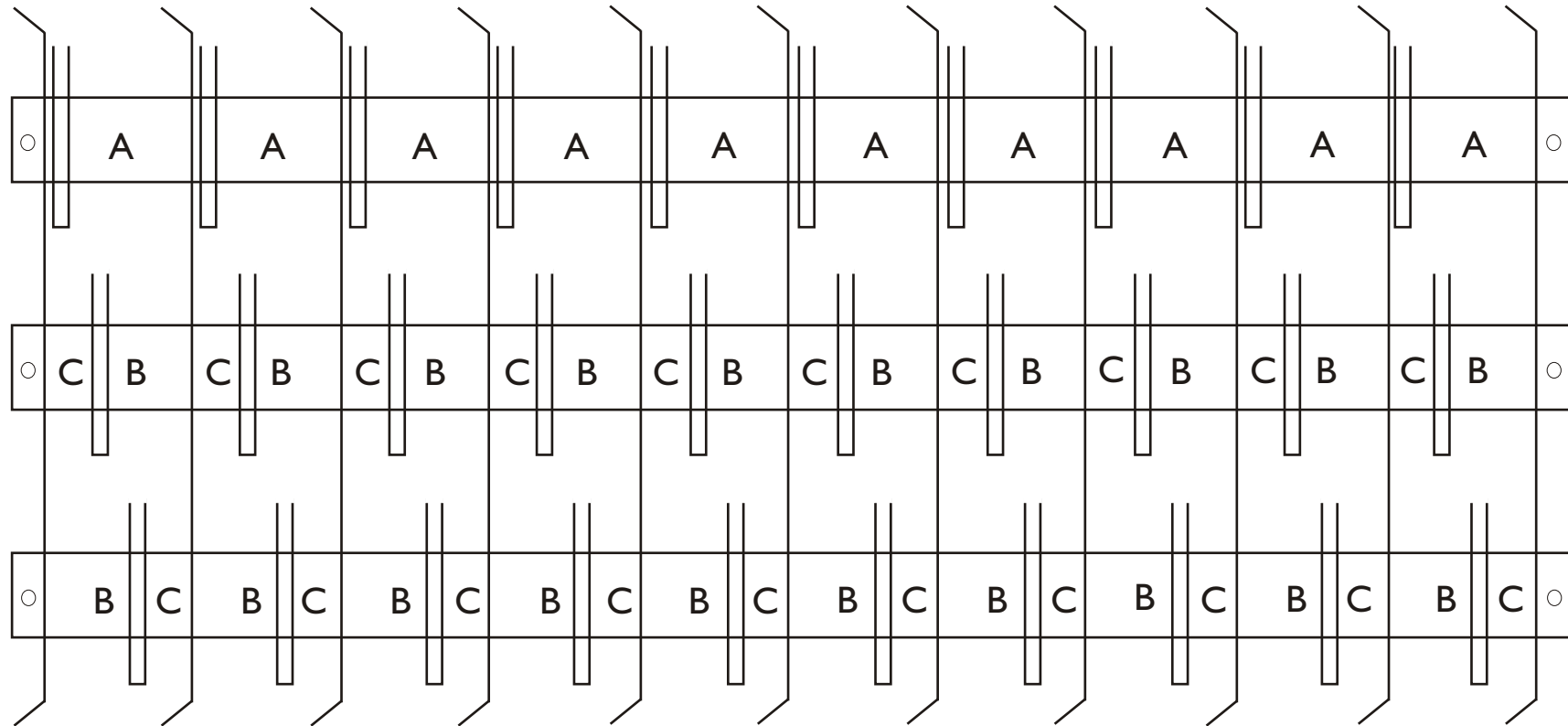


<u>Diag No</u>	<u>Part No</u>	<u>Description</u>	<u>Qty</u>	<u>Diag No</u>	<u>Part No</u>	<u>Description</u>	<u>Qty</u>
1	31241080	Nyloc Nut	14	46B	60046	Rear Axle Assembly (pre-2003)	1
2	31411084	Washer	22	47A	60047X	Frame (hook-on type)	1
3	60003	Capscrew	1	47B	60047	Frame (pre-2003)	1
4	60004	Swivel Bush	1	48	31423130	Wavy Washer	4
5	60005	Clevis	1	49	60049	Collector Bag	1
6	31112157	Bolt	1	50	58147704	Adjuster	1
7	60007	Front Axle	1	51	60051	Lever	1
8	22122200	Bearing	8	52	60052	Handlebar	1
9	81007313	Wheel	4	53	12819201	Coach Bolt	2
10	22110275	Cap	4	54	22399900	Knob	2
11	60011	SLF Bearing	2	55	60055	Knob	1
12	60012	Clamp	2	56	22450800	Spring (2mm)	1
13	60013	Spacer	10	58	60058	Set Imm Blades (30)	1
14	60014	Spider	11	59	60059	Imm Blade Rotor Assembly (12-19)	1
15	60015A	Spring (2")	10	62	60062	Bearing Carrier	4
15	60015B	Spring (1 1/4")	20	64	60064	Centrifugal Clutch	1
15	60015C	Spring (3/4")	20	65	60065	Penny Washer	2
17	60017	Rod	3	66	31100003	Bolt	1
18	34213023	Pin	6	67	60067	Belt	1
19	60019	Rotor Shaft	1	68	31241120	Nyloc Nut	1
20	60020	Adjustable Handle	1	69	60069	Tension Springs	1
21	56356165	Key	1	72	60072	Set Springs for Imm Blades	1
22	60022	Chassis	1	73	60073	Blade (Imm)	30
23	60023	Locking Handle	1	74	60074	Set Imm Blades and Springs	1
25	60025	Jockey Plate	1	75	60075	Spring Washer	1
26	60026	Spacer	1	76	31112153	Bolt	4
27	60027	Washer	1	77	60077	Cover Plate	2
28	60028	Jockey Bearing	1	78	31231160	Nut	2
29	60029	Penny Washer	2	79	60079	Rect Split Washer (6mm)	8
30	31113215	Bolt	1	80	810949	Throttle Bolt	1
31	31121006	Button Head	8	81	31211060	Nut	2
32	60032	Nut	1	82	31241060	Nyloc Nut	3
33	60033	Button Head	2	83	18342-733-010	Exhaust Elbow	1
35	60035	Belt Guard	1	84	58049786	Throttle Spring	1
39	60039	Button Head	10	87	60087	Pop Rivet 1/8" x 1/2"	2
40	60040	Throttle Cable	1	88	60088	Honda GX160QX4	1
42	60042	Ejection Flap	1	89	31241085	Nyloc Nut 'T Type'	6
43	60043	Pulley	1	90	60089	Cover	1
46A	60046X	Rear Axle Assembly (hook-on bag)	1	91	31112090	Bolt	2



LS17

Spring & Imm Blade Layout



	Qty
A = 2" spring	(10)
B = 1 1/4" spring	(20)
C = 3/4" spring	(20)

