

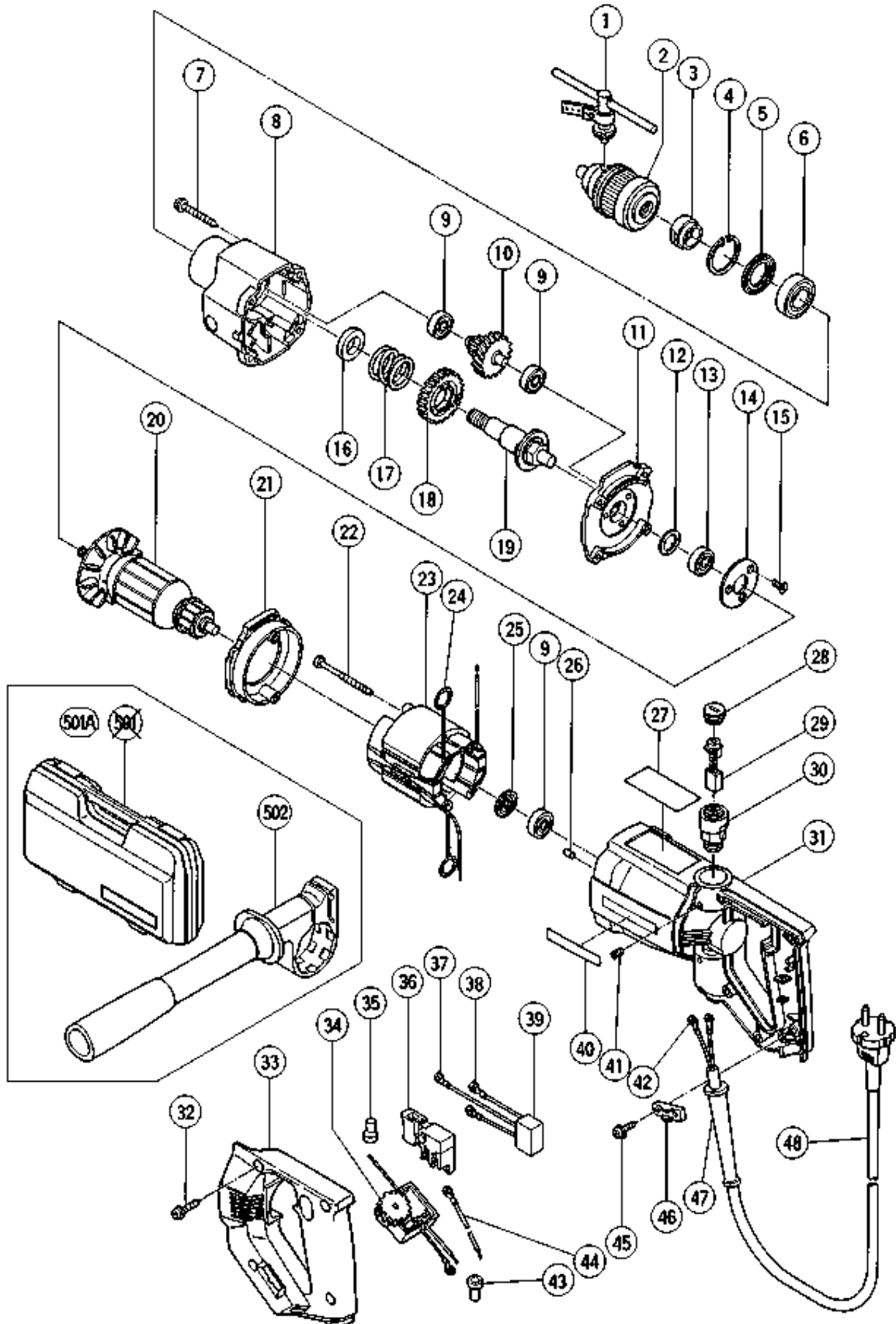
HITACHI

LIST NO. 0183

ELECTRIC TOOL PARTS LIST

■ DIAMOND CORE DRILL
Model DC 120V

1994 • 4 • 10
(E1)



PARTS

DC120V

ITEM No.	CODE No.	DESCRIPTION	No. USED	REMARKS	
1	930-515	CHUCK WRENCH 10G	1		
*	2	309-131	DRILL CHUCK 13WLR	1	INCLUD.1
*	3	309-125	NUT	1	
	4	939-556	RETAINING RING FOR D35 HOLE (10 PCS.)	1	
	5	981-572	DUST SEAL	1	
*	6	600-3VV	BALL BEARING 6003VVCMP2L	1	
	7	986-140	TAPPING SCREW (W/SP. WASHER) D5X35	4	
*	8	309-124	GEAR COVER	1	
	9	608-VVM	BALL BEARING 608VVC2PS2L	3	
	10	309-129	SECOND PINION	1	
	11	309-130	INNER COVER ASS'Y	1	INCLUD.9,12-15
	12	984-357	WASHER	1	
	13	609-VVM	BALL BEARING 609VVC2PS2L	1	
	14	309-132	BEARING HOLDER	1	
	15	981-588	SEAL LOCK HEX.SOCKET FLAT HD. BOLT M5X16	3	
*	16	309-128	SLEEVE	1	
	17	309-167	SPRING	1	
	18	309-127	FINAL GEAR	1	
*	19	309-126	SPINDLE	1	
*	20	360-342E	ARMATURE 230V	1	
	21	981-562	FAN GUIDE	1	
	22	961-501	HEX. HD. TAPPING SCREW D5X60	2	
*	23	340-302E	STATOR ASS'Y 230V	1	INCLUD.24
	24	930-703	BRUSH TERMINAL	2	
	25	956-387	DUST SEAL (A)	1	
	26	946-362	BEARING LOCK	1	
*	27		NAME PLATE	1	
	28	961-781	BRUSH CAP	2	
	29	999-043	CARBON BRUSH (1 PAIR)	2	
	30	981-586	BRUSH HOLDER	2	
	31	983-552	HOUSING ASS'Y	1	INCLUD.30,41
	32	301-653	TAPPING SCREW (W/FLANGE) D4X20 (BLACK)	5	
	33	309-123	HANDLE COVER	1	
*	34	983-582	CONTROLLER CIRCUIT 220V-240V	1	
	35	959-140	CONNECTOR 50091 (10 PCS.)	1	
	36	302-470	SWITCH (C) (1P SCREW TYPE) W/O LOCK	1	
	37	938-108	TERMINAL	1	
	38	980-063	TERMINAL	2	
	39	994-273	NOISE SUPPRESSOR	1	
	40		HITACHI LABEL	1	
	41	985-114	HEX. SOCKET SET SCREW M4X6	2	

*:ALTERNATIVE PARTS

PARTS

DC120V

ITEM No.	CODE No.	DESCRIPTION	No. USED	REMARKS
42	980-063	TERMINAL	2	
43	959-141	CONNECTOR 50092 (10 PCS.)	1	
44	309-165	INTERNAL WIRE	1	
45	984-750	TAPPING SCREW (W/FLANGE) D4X16	2	
46	960-266	CORD CLIP	1	
47	953-327	CORD ARMOR D8.8	1	
* 48	500-435Z	CORD	1	FOR GBR (240V)

STANDARD ACCESSORIES

ITEM No.	CODE No.	DESCRIPTION	No. USED	REMARKS
501A	310-905	CASE	1	
502	309-122	SIDE HANDLE	1	